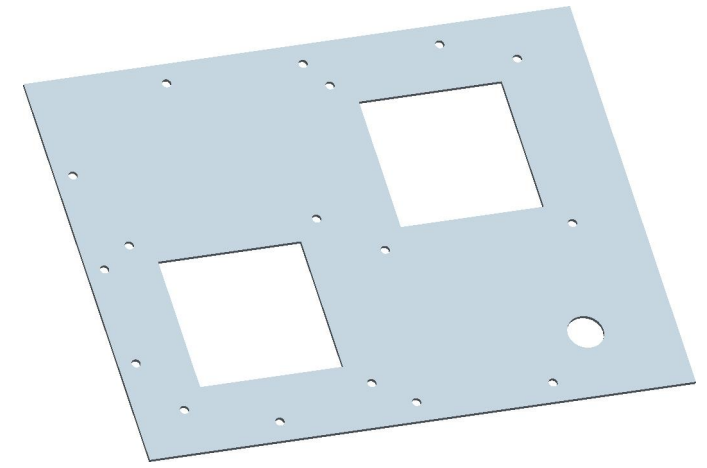



General Tolerance ± 0.5



Sheet Thickness = 2mm
All holes are through holes

Quantity:01

DESIGNED BY: Designed by Name		Title BackPanel_Top		G	-
DATE: Date				F	-
SIZE A4	Material: Aluminium Finish Type: Powder Coating			E	-
				D	-
SCALE mm	WEIGHT (kg) Weight	DRAWING NUMBER Drawing number	SHEET 22	C	-
This drawing is our property; it can't be reproduced or communicated without our written consent.				B	-
				A	-