

F

E

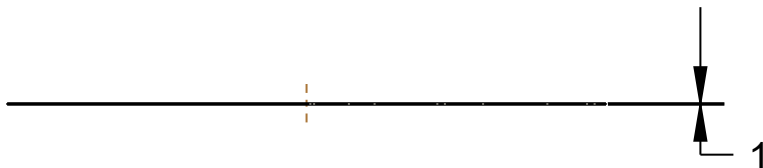
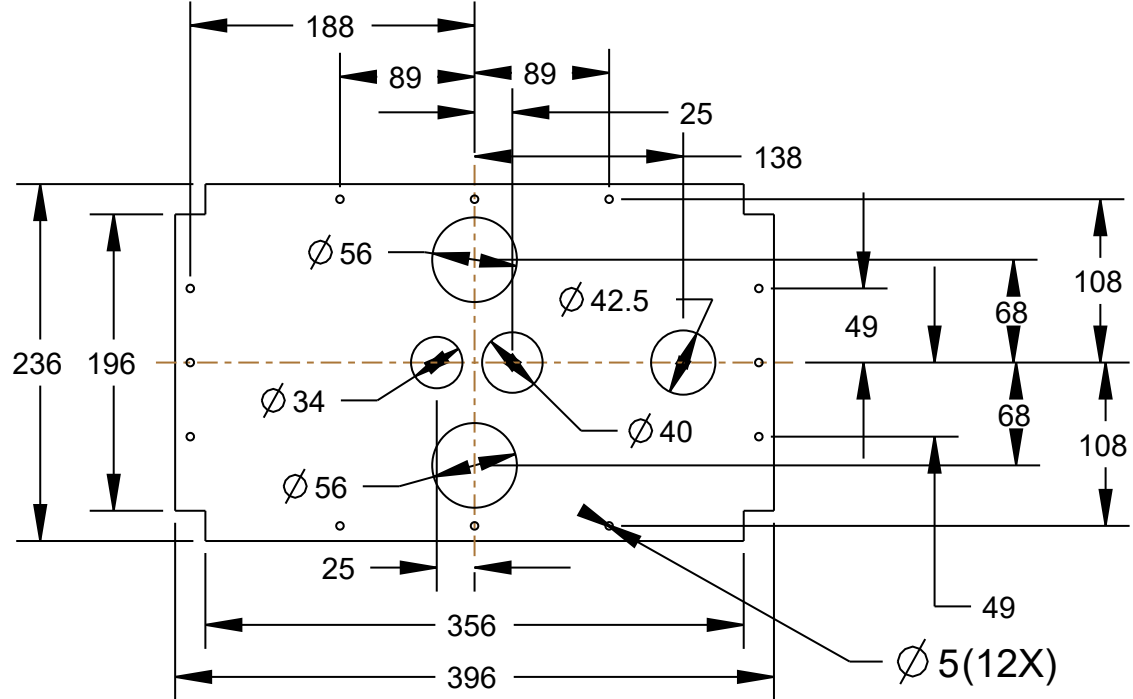
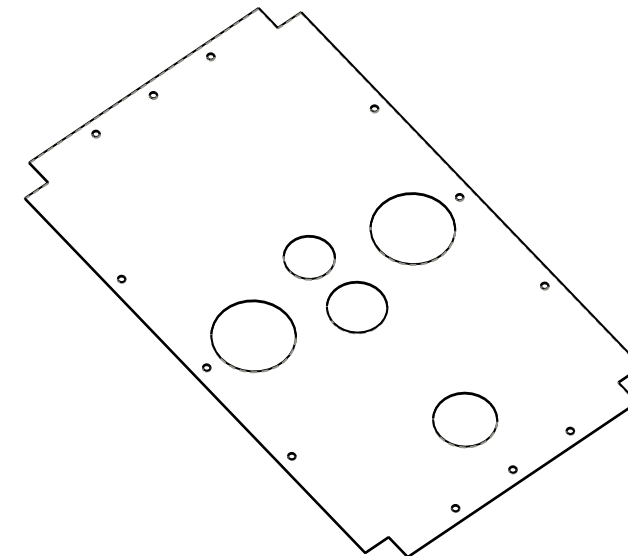
D

C

B

A

General Tolerance ± 0.5



Quantity:01

Sheet Thickness = 1mm  
 All Holes are through holes

DESIGNED BY: <b>Designed by Name</b>		Title		G	-
DATE: <b>Date</b>		Bottom Cover Flat version		F	-
SIZE		Material: Aluminium Finish Type: Powder Coating		E	-
<b>A4</b>		DRAWING NUMBER		D	-
SCALE	WEIGHT (kg)			SHEET	
<b>mm</b>	<b>Weight</b>	<b>Drawing number</b>		B	-
<b>22</b>				A	-
<b>This drawing is our property; it can't be reproduced or communicated without our written consent.</b>					

F

E

D

4

3

2

1