

F

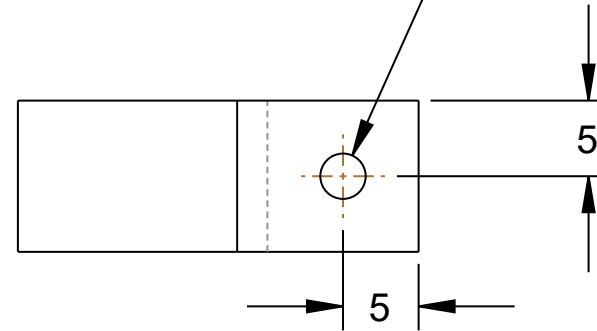
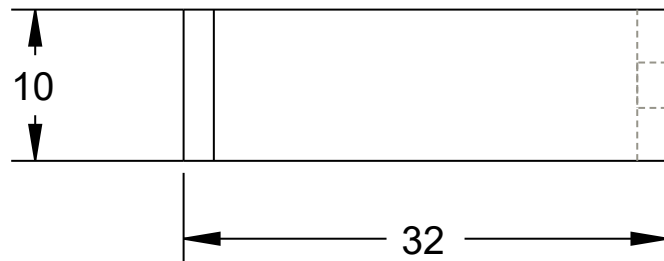
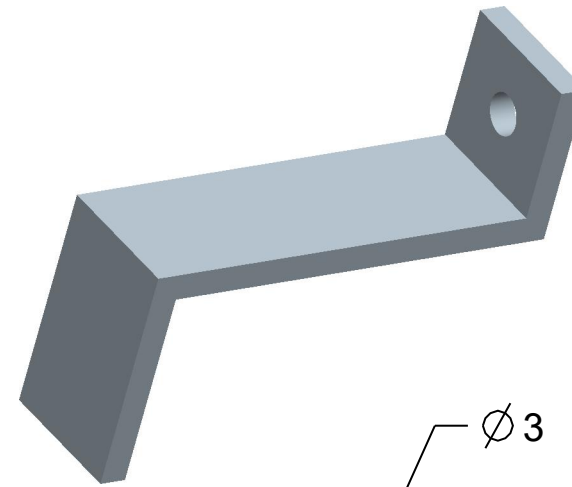
E

D

C

B

A

General Tolerance ± 0.5 

Quantity:01

Sheet Thickness = 2mm
 All holes are through holes
 All edges are rounded by 0.25mm

DESIGNED BY: Designed by Name		Title Camera2_Clamp		G	-
DATE: Date				F	-
SIZE A4		Material: Aluminium Finish Type: Powder Coating		E	-
SCALE mm	WEIGHT (kg) Weight	DRAWING NUMBER Drawing number		D	-
		SHEET 22		C	-
This drawing is our property; it can't be reproduced or communicated without our written consent.				B	-
				A	-

F

E

D

4

3

2

1