

F

E

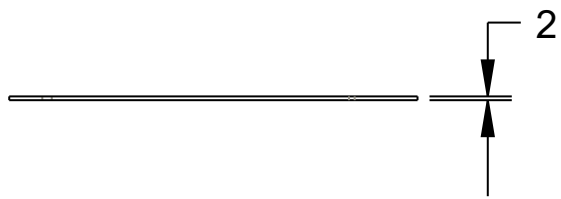
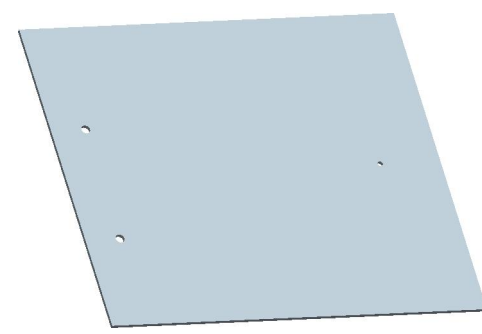
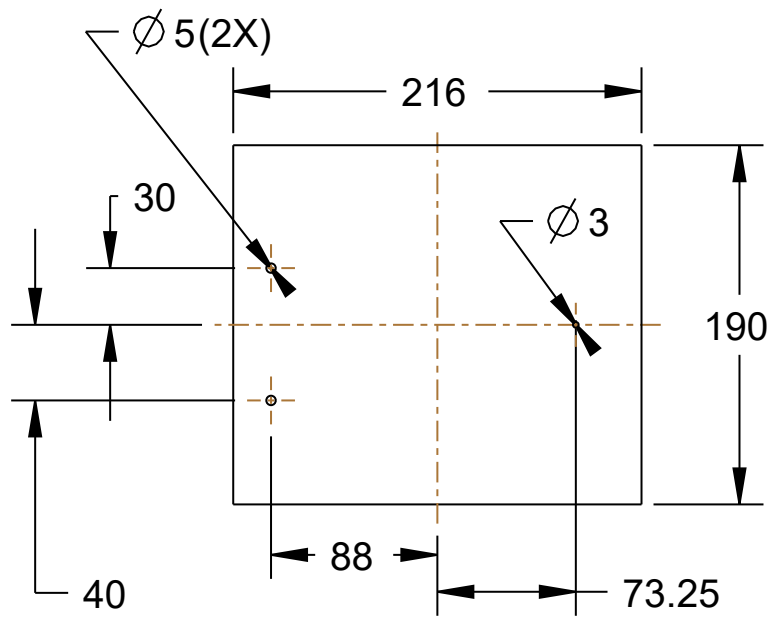
D

C

B


A

General Tolerance ± 0.5



Sheet Thickness = 2mm
 All Holes are through
 All edges are rounded 0.25mm

Quantity: 01

DESIGNED BY: Designed by Name		Title		G	-
DATE: Date		Door Panel		F	-
SIZE		Material: Aluminium Finish Type: Powder Coating		E	-
A4				D	-
SCALE	WEIGHT (kg)			DRAWING NUMBER	SHEET
mm	Weight	Drawing number	22	B	-
This drawing is our property; it can't be reproduced or communicated without our written consent.				A	-

F

E

D

4

3

2

1