

F

E

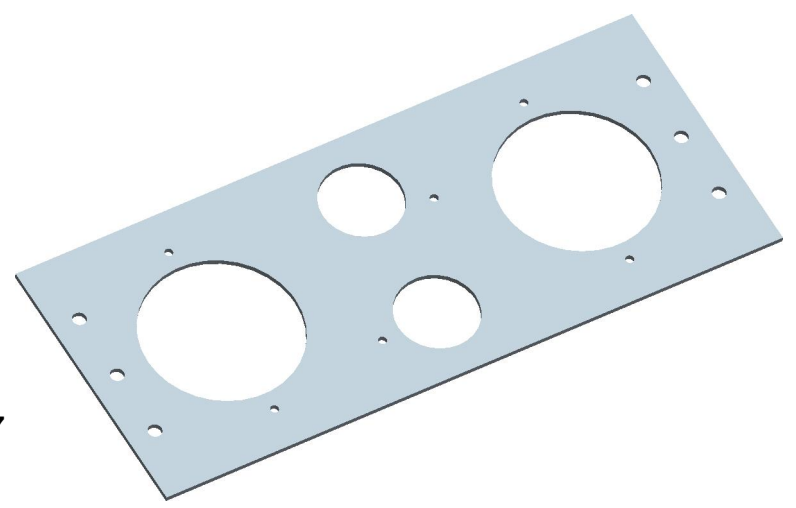
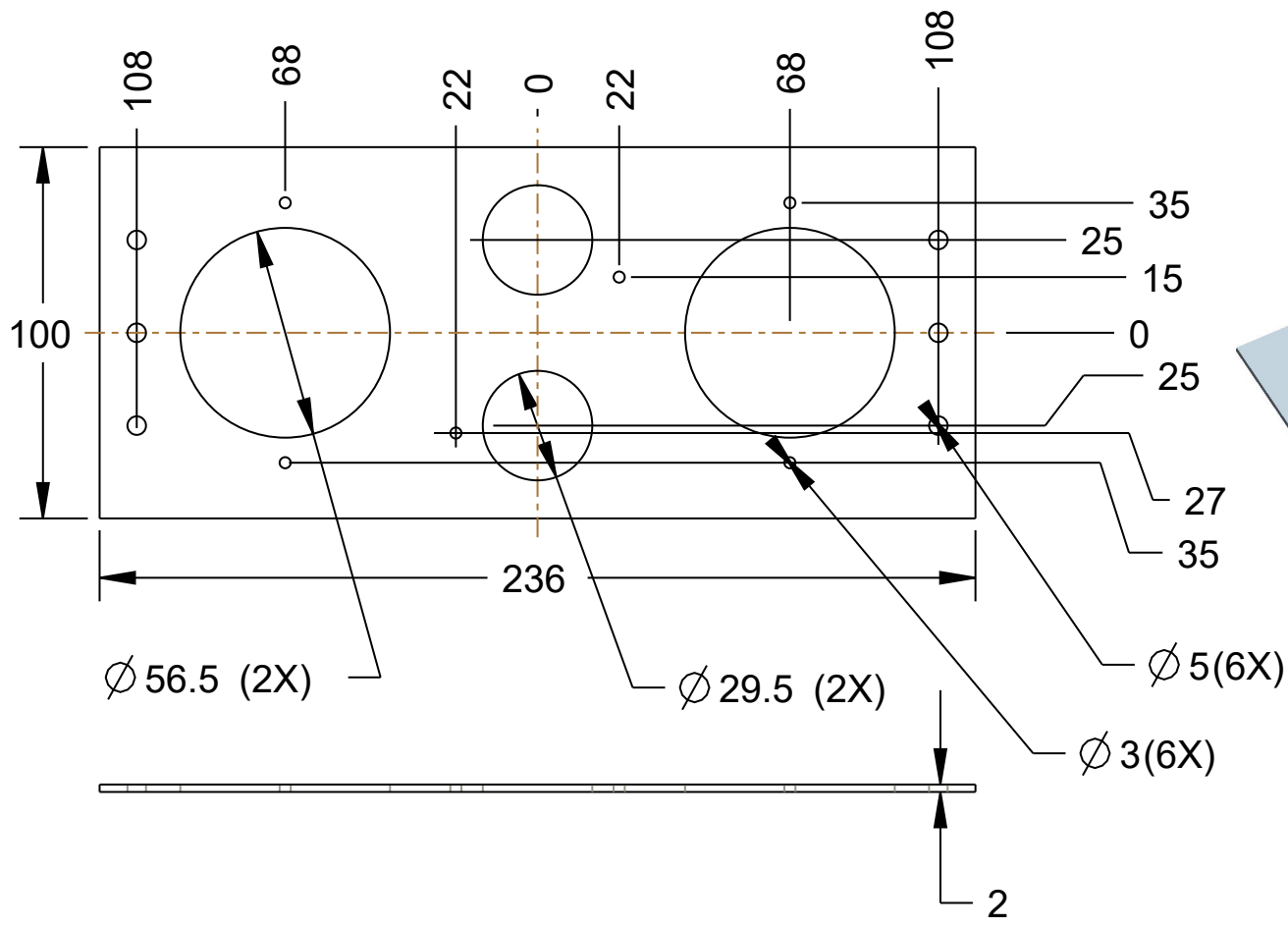
D

C

B

A

General Tolerance ± 0.5



Quantity:01

Sheet Thickness = 2mm
 All holes are through holes

DESIGNED BY: Designed by Name		Title Light_CameraHolder		G	-
DATE: Date				F	-
SIZE A4		Material: Aluminium Finish Type: Powder Coating		E	-
SCALE mm		DRAWING NUMBER Drawing number		D	-
WEIGHT (kg) Weight		SHEET 22		C	-
This drawing is our property; it can't be reproduced or communicated without our written consent.				B	-
				A	-

F

E

D

4

3

2

1