

F

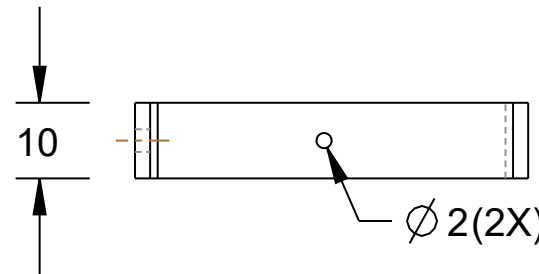
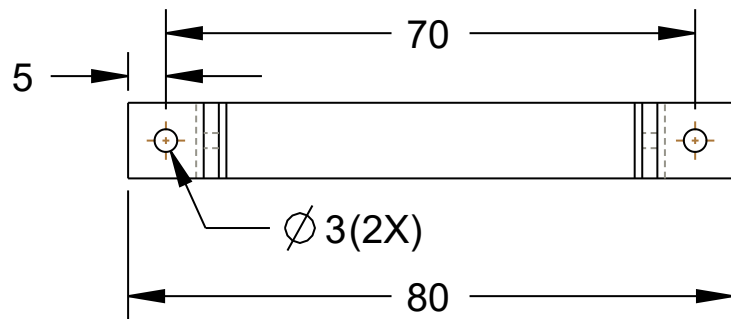
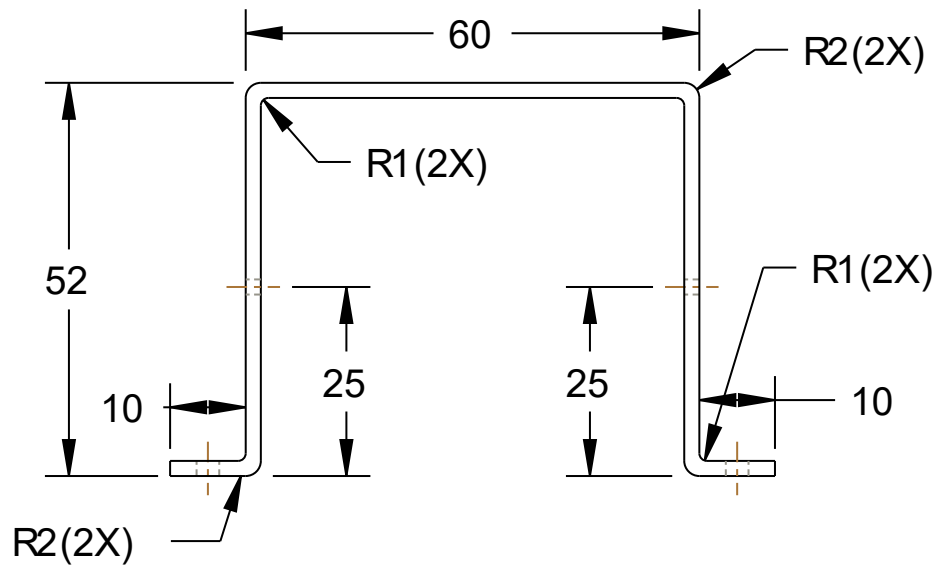
E

D

C

B

A

General Tolerance $\pm 0.5\text{mm}$ 

Qty; 02

Sheet Thickness = 2mm
 All 3mm holes are through
 All 2mm holes are tapped

DESIGNED BY: Designed by Name		Title LIGHT CLAMP		G	-
DATE: Date				F	-
SIZE A4		Material : Aluminium Finish Type: Powder Coating		E	-
SCALE mm		DRAWING NUMBER Drawing number		D	-
WEIGHT (kg) Weight		SHEET 22		C	-
This drawing is our property; it can't be reproduced or communicated without our written consent.				B	-
				A	-

F

E

D

4

3

2

1