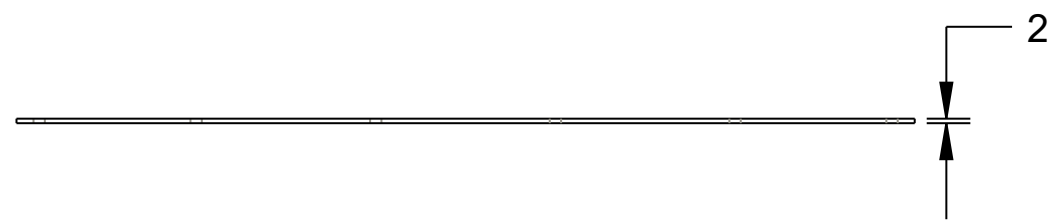
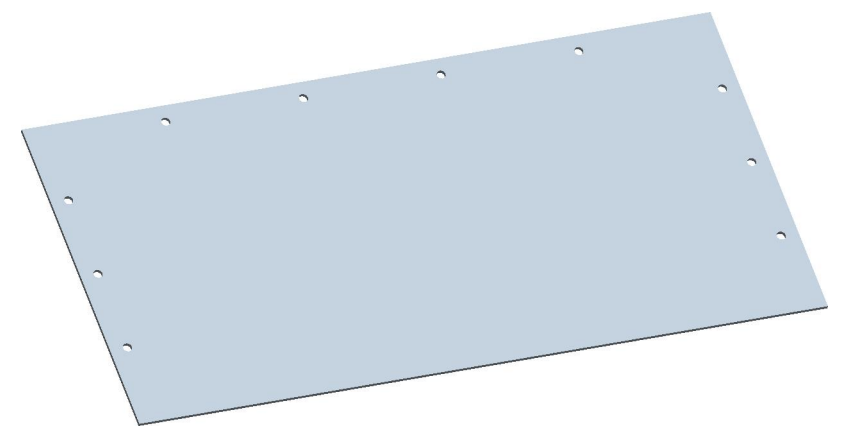
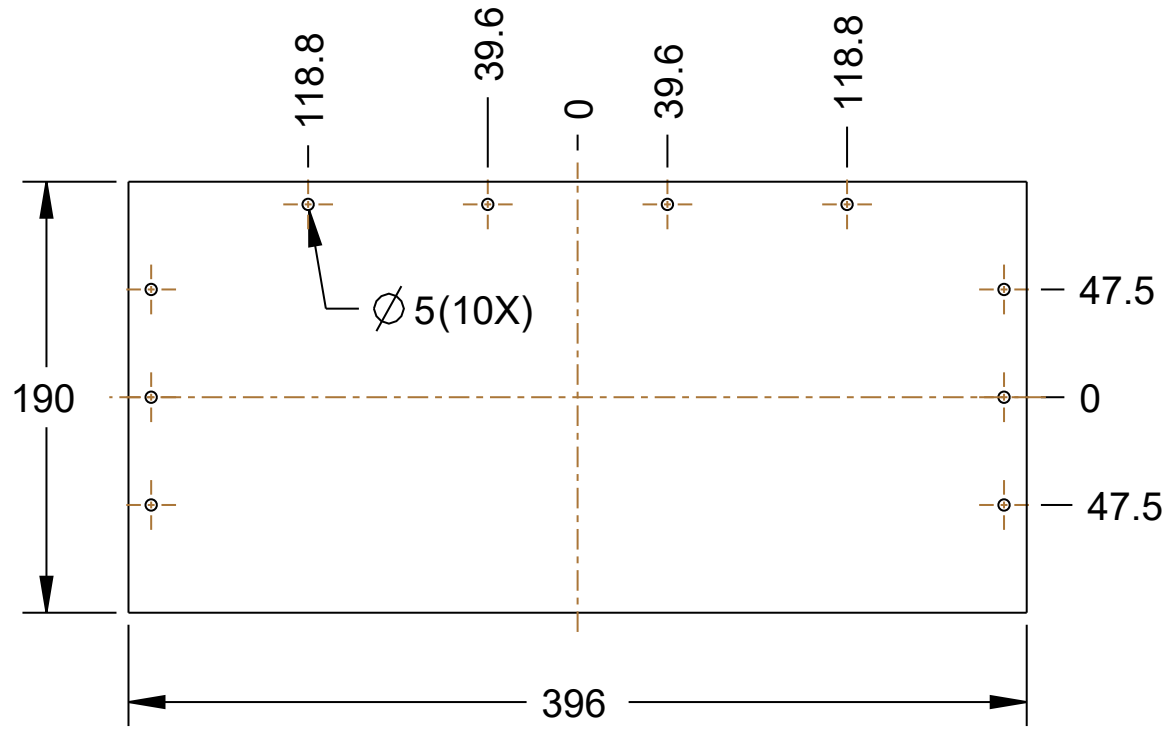


F E D C B A

General Tolerance ± 0.5



Quantity:02

Sheet Thickness = 2mm
 All are through holes
 Rounded edges with 0.25mm

DESIGNED BY: Designed by Name		Title Sidepanel_Bottom		G	-
DATE: Date				F	-
SIZE A4		Material: Aluminium Finish Type: Powder Coating		E	-
SCALE mm				D	-
WEIGHT (kg) Weight		DRAWING NUMBER Drawing number		C	-
SHEET 22				B	-
This drawing is our property; it can't be reproduced or communicated without our written consent.				A	-

F E D C B A