

F

E

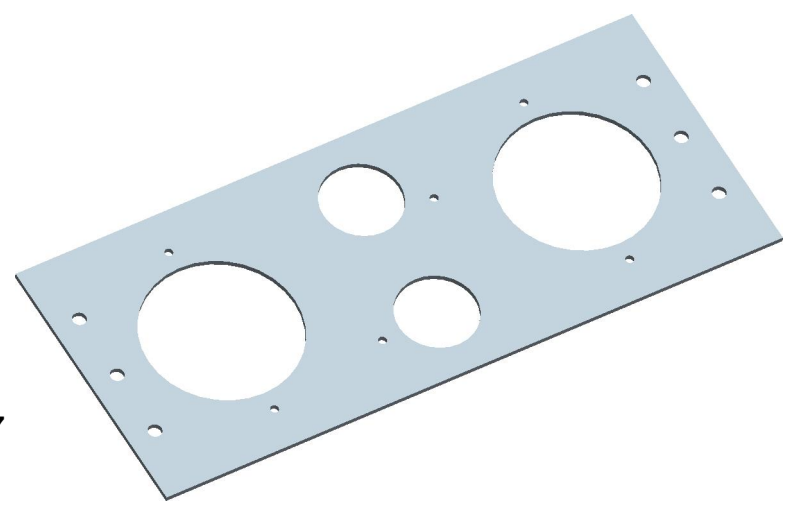
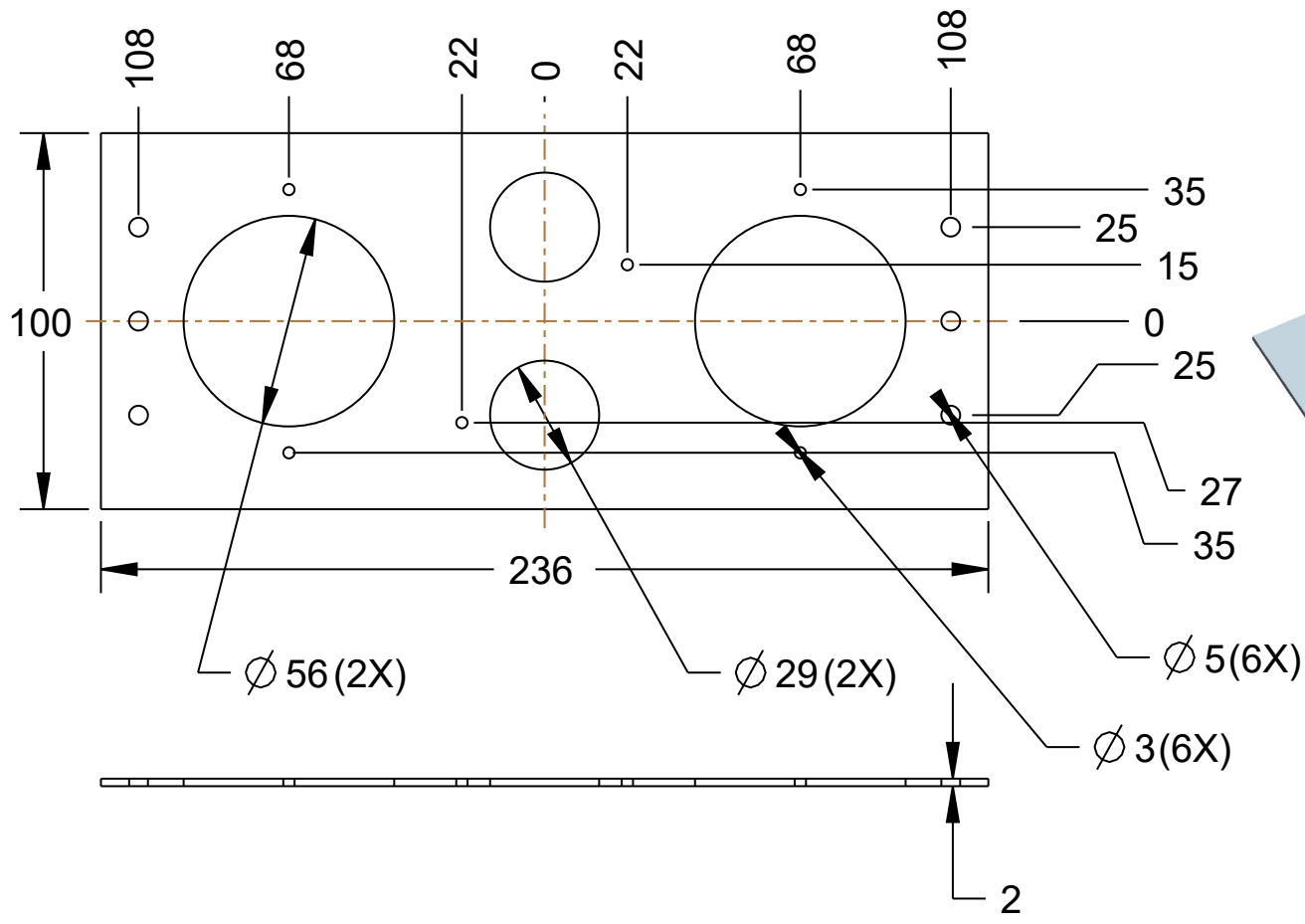
D

C

B

A

General Tolerance ± 0.5



Sheet Thickness = 2mm  
 All holes are through holes

Quantity:01

DESIGNED BY: <b>Designed by Name</b>		Title <b>Light_CameraHolder</b>		G	-
DATE: <b>Date</b>				F	-
SIZE <b>A4</b>		Material: Aluminium Finish Type: Powder Coating		E	-
SCALE <b>mm</b>		DRAWING NUMBER <b>Drawing number</b>		D	-
WEIGHT (kg) <b>Weight</b>		SHEET <b>22</b>		C	-
This drawing is our property; it can't be reproduced or communicated without our written consent.				B	-
				A	-

F

E

D

4

3

2

1