

F E D C B A

4

3

2

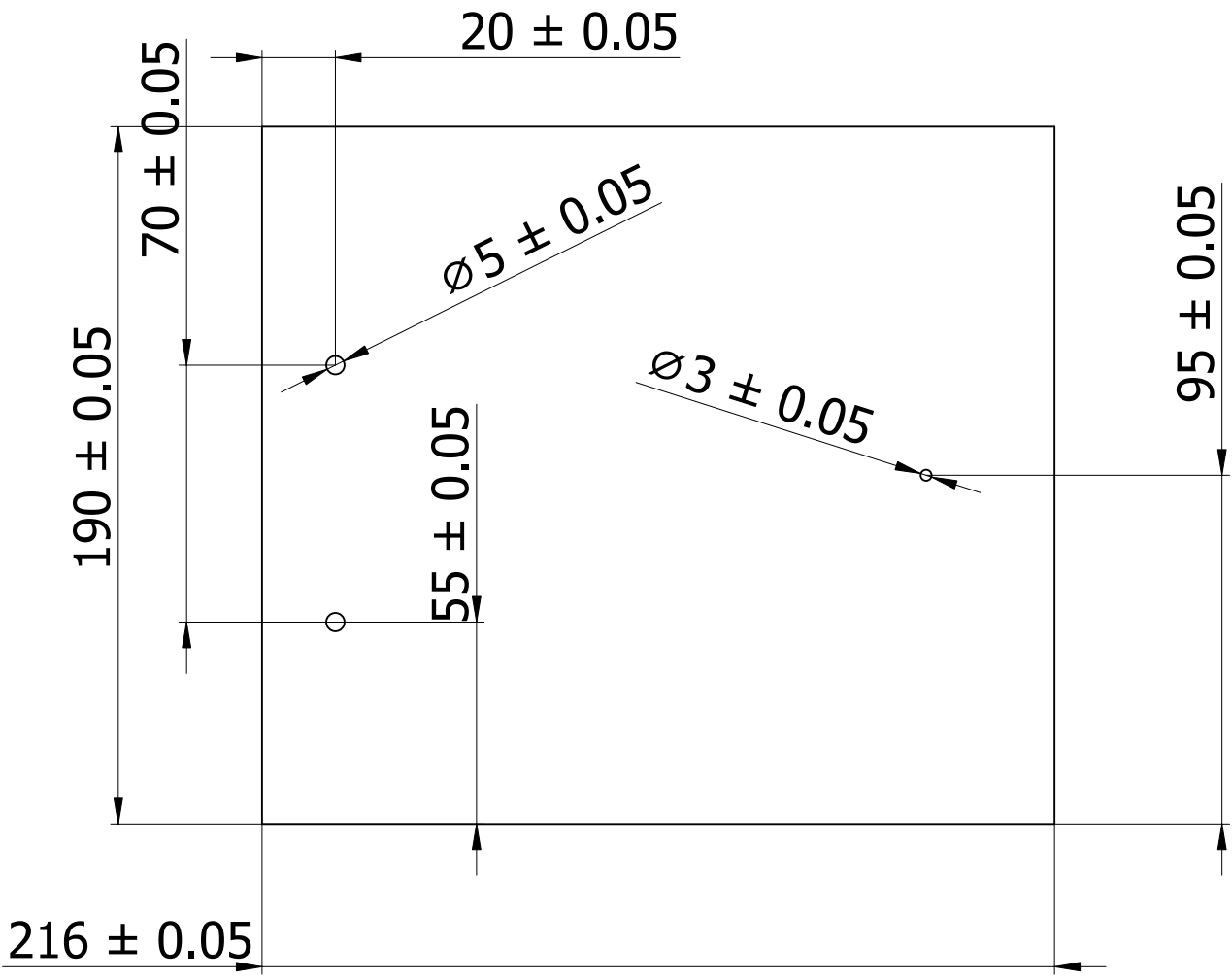
1

4

3

2

1



216 ± 0.05

190 ± 0.05

70 ± 0.05

55 ± 0.05

$\varnothing 5 \pm 0.05$

$\varnothing 3 \pm 0.05$

20 ± 0.05

95 ± 0.05

2 ± 0.05

All holes are through holes.
All edges are rounded 0.25mm

DESIGNED BY: Designed by Name		Title		G	—
DATE: Date		Door panel		F	—
SIZE A4				E	—
SCALE mm		DRAWING NUMBER Drawing number		D	—
WEIGHT (kg) Weight		SHEET 8		C	—
This drawing is our property; it can't be reproduced or communicated without our written consent.				B	—
				A	—

F E D C B A