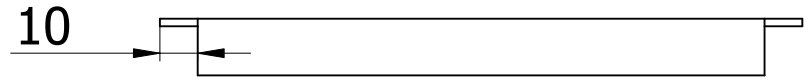
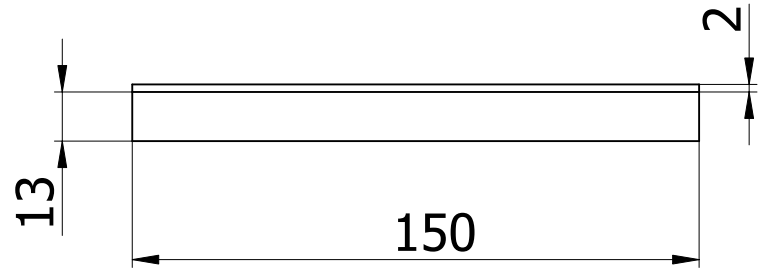
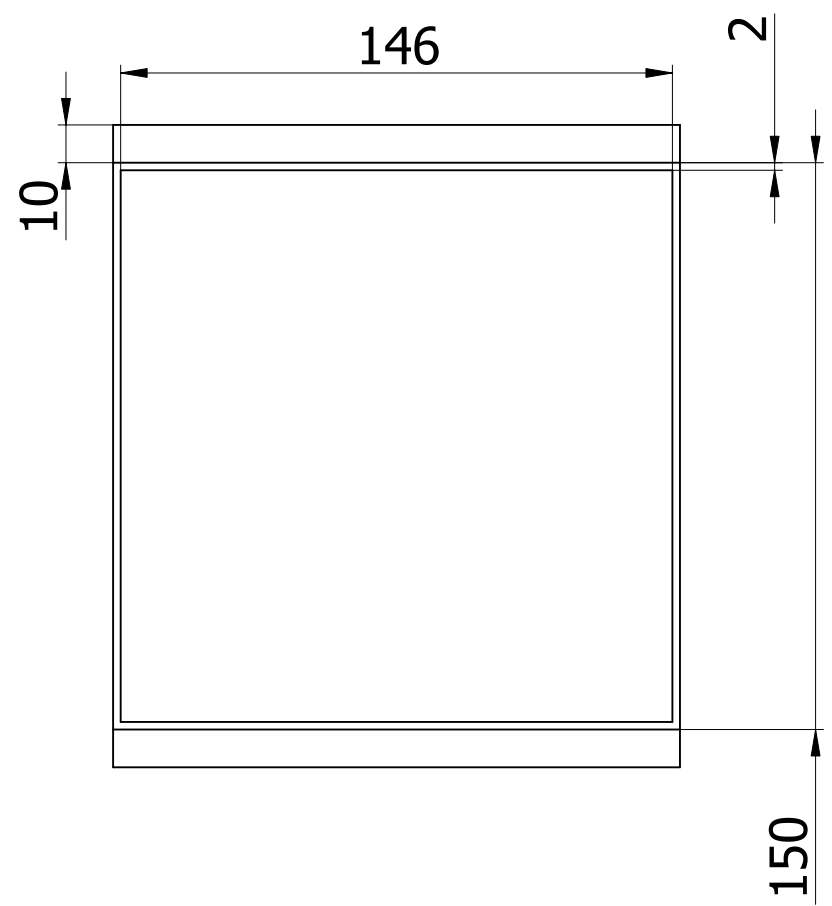


F E D C B A

4  
3  
2  
1



4  
3  
2  
1

DESIGNED BY: <b>Designed by Name</b>		<b>Title</b>		G	—
DATE: <b>Date</b>		Sample_tray_150mm		F	—
SIZE <b>A4</b>				E	—
				D	—
SCALE <b>mm</b>		DRAWING NUMBER <b>Drawing number</b>		C	—
WEIGHT (kg) <b>Weight</b>		SHEET <b>17</b>		B	—
This drawing is our property; it can't be reproduced or communicated without our written consent.				A	—

F E D

